

## OTF Finstrip® Air Heater (cont'd.)

### Features

**Durability** is assured by rugged Chromalox strip heater with locked-on aluminized steel fins.

**Rapid Heat Transfer** to air from large finned area.

**Large Selection** of lengths, wattages and watt densities.

### Options

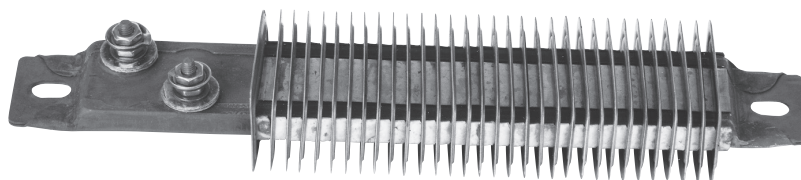
**Secondary Insulation Bushings** are needed at each end of Finstrip® elements when connected in series on line voltages 300V and above. To accommodate bushings, a 17/32 x 11/16" mounting hole in tabs should be specified for elements. A secondary bushing set (PCN 255716) should be specified. Each set includes two bushings and hardware for one heater.

**Removable Terminal Covers (OT-AC-1)** — Shipped unassembled (PCN 129242).

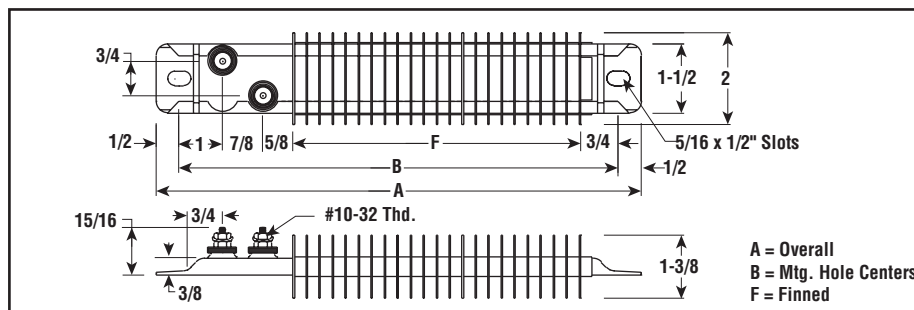
**Ceramic Post Terminal Insulators** — Nickel plated steel hardware (PCN 259805). Stainless Steel hardware (PCN 255732).

**Extra Long Finstrips** — Available in 48, 54, 64 or 72" length.

**MONEL® Sheath and Fins** — Contact your Local Chromalox Sales office for price and availability.



### Dimensions (Inches)



### Specifications and Ordering Information

Watts	W/in <sup>2</sup>	Volts	Dimensions (In.)			Model	Stock	PCN	Wt. (Lbs.)
			A	B	F				
<b>Chrome Steel Sheath — for Max. Sheath Temp. to 950°F</b>									
475	21	120	10-1/2	9-1/2	6-1/4	OTF-100	S	128311	2
725	32	120	10-1/2	9-1/2	6-1/4	OTF-100	S	128320	2
475	21	240	10-1/2	9-1/2	6-1/4	OTF-100	NS	128346	2
350	15	240	10-1/2	9-1/2	6-1/4	OTF-100	NS	128338	2
725	32	240	10-1/2	9-1/2	6-1/4	OTF-100	S	128354	2
700	25	120	12	11	7-3/4	OTF-120	NS	128362	2
900	32	120	12	11	7-3/4	OTF-120	S	128370	2
700	25	240	12	11	7-3/4	OTF-120	S	128389	2
900	32	240	12	11	7-3/4	OTF-120	S	128397	2
750	21	120	14	13	9-3/4	OTF-140	S	128400	2
1,100	31	120	14	13	9-3/4	OTF-140	S	128418	2
750	21	240	14	13	9-3/4	OTF-140	NS	128426	2
1,100	31	240	14	13	9-3/4	OTF-140	S	128433	2
850	20	240	15-1/4	14-1/4	11	OTF-150	S	128442	3
1,250	30	240	15-1/4	14-1/4	11	OTF-150	S	128450	3
750	15	240	17-7/8	16-7/8	13-5/8	OTF-180	S	128469	3
1,000	20	240	17-7/8	16-7/8	13-5/8	OTF-180	S	128477	3
1,550	31	240	17-7/8	16-7/8	13-5/8	OTF-180	S	128485	3
1,000	18	208	19-1/2	18-1/2	15-1/4	OTF-190	NS	128493	3
1,000	18	240	19-1/2	18-1/2	15-1/4	OTF-190	NS	128506	3
1,250	23	240	19-1/2	18-1/2	15-1/4	OTF-190	S	128514	3
1,700	31	240	19-1/2	18-1/2	15-1/4	OTF-190	S	128522	3
1,250	20	240	21	20	16-3/4	OTF-210	NS	128549	3
750	12	240	21	20	16-3/4	OTF-210	NS	128530	3
1,900	30	240	21	20	16-3/4	OTF-210	S	128557	3
2,200	31	240	23-3/4	22-3/4	19-1/2	OTF-240	S	128581	4
1,000	14	240	23-3/4	22-3/4	19-1/2	OTF-240	S	128565	4
1,450	20	240	23-3/4	22-3/4	19-1/2	OTF-240	NS	128573	4
1,500	19	240	25-1/2	24-1/2	21-1/4	OTF-250	NS	128750	4
2,400	30	240	25-1/2	24-1/2	21-1/4	OTF-250	S	128768	4
1,600	19	240	26-3/4	25-3/4	22-1/2	OTF-260	S	128776	4
2,500	30	240	26-3/4	25-3/4	22-1/2	OTF-260	S	128784	4
1,800	19	240	30-1/2	29-3/8	25-1/4	OTF-300	S	128792	4
2,800	30	240	30-1/2	29-3/8	25-1/4	OTF-300	S	128805	4
2,100	20	240	33-1/2	32-3/8	28-1/4	OTF-330	NS	128944	5
3,150	30	120	33-1/2	32-3/8	28-1/4	OTF-330	NS	128813	5
3,150	30	240	33-1/2	32-3/8	28-1/4	OTF-330	S	128821	5
1,500	13	240	35-7/8	34-7/8	30-5/8	OTF-360	NS	128830	5
2,300	20	240	35-7/8	34-7/8	30-5/8	OTF-360	NS	128848	5
3,450	30	240	35-7/8	34-7/8	30-5/8	OTF-360	S	128856	5
2,450	20	240	38-1/2	37-3/8	33-1/4	OTF-380	S	128864	5
3,600	30	240	38-1/2	37-3/8	33-1/4	OTF-380	NS	128872	5
4,150	30	240	42-1/2	41-3/8	37-1/4	OTF-430	S	128880	6
2,250	15	240	48	47	42-3/4	OTF-480	S	128979	8

**Stock Status:** S = stock NS = non-stock  
**To Order**—Specify model, PCN, watts, volts and quantity.